

# NEWS

CASCADE LASER CORPORATION

JANUARY/FEBRUARY 2001

VOLUME # 1 ISSUE # 2

## Recent Additions to our Product Line

A variety of products have recently been added to our laser accessories product line. Some of the additions include the following:

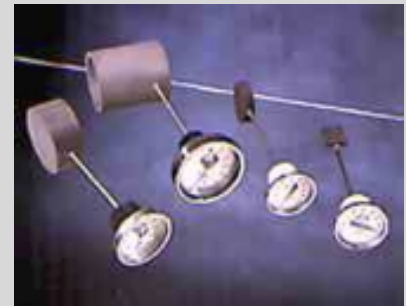
- F-Theta Lenses
- Manual Beam Expanders
- Motorized Beam Expanders
- Digital Power Probes
- Near IR Display Plates
- Laser Power Probes
- Beam Probes
- Thermal Image Plates

All of these components and accessories are designed to make laser operation easier and more precise. Many of the items can be customized to fit a specific need you may have.

### Laser Power Probes

Cascade Laser now offers laser power probes that are used to measure laser power with a timed exposure. Many different models are available in eight different power ranges and two different absorption coatings. These power probes display average power absorbed on a calibrated readout scale. They can be used with continuous or repetitively pulsed lasers ranging from small 2 watt YAG lasers to large 10,000 watt CO2 lasers. Each power probe is a self-contained unit consisting of an

absorbing head, a temperature measuring mechanism, a zeroing knob and a readout dial.



Laser Power Probes

## Beam Expanders & Scanning Lenses Now Available

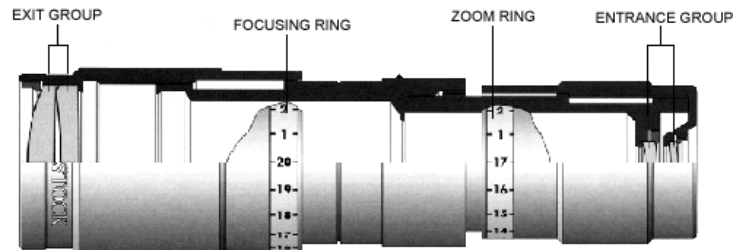
We now carry beam expanders and scanning lenses for some of the most popular brands of laser trimmers and markers including the **Control Laser**, **GSI Lumonics**, **Chicago Laser**, **TLSI**, **AB Laser**, **Baasel Lasertech**, and **Control Microsystems**.

Manually adjustable 2X - 8X laser beam expanders are frequently used in combination with gas or solid-state lasers in order to expand the existing

beam to the desired size. In addition to supplying standard and custom expanders, we have the resources available to help you with the design

of complete assemblies. An entire assembly ensures that the optical properties are precisely coordinated. With this we are able to provide our customers with a product that will be very cost efficient.

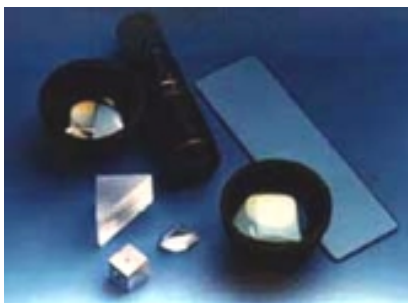
Scanning lenses are used in many applications including engraving and labeling systems, phototypesetting image transfer and material processing such as writing text or image components with a laser beam. Cascade Laser is also able to offer our customers scanning lenses that



Manual Beam Expander

meet many different solutions. One example of this type of lens is the "telecentric" F-theta. This lens allows for the axis of the focused laser beam bundle to be perpendicular to the scanning plane throughout, and works for applications where there is a need to scan from a non-flat surface.

For more information on these and many other products we carry, visit our website at [www.cascadelaser.com](http://www.cascadelaser.com).



F-Theta Lenses



**CASCADE LASER CORP.**

101 N. Elliott Rd.  
Newberg, OR 97132



**CASCADE LASER CORP.**

101 N. Elliott Rd.  
Newberg, OR 97132

Phone: 503-554-1926  
Toll Free: 800-443-5561  
Fax: 503-554-8285

info@cascadelaser.com

WE ARE ON THE WEB!  
[www.cascadelaser.com](http://www.cascadelaser.com)

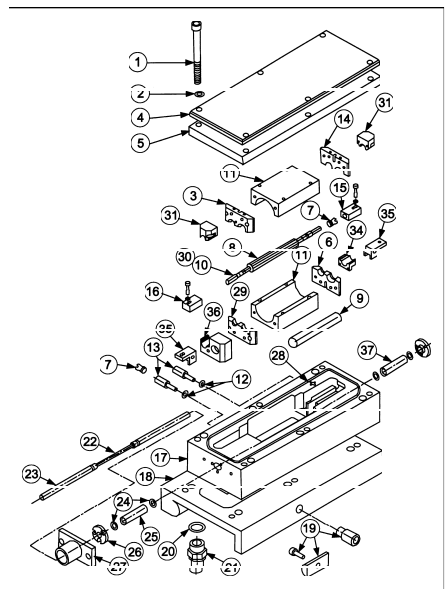
## Lee Laser Models 808, 812, 818 & 825

Cascade Laser carries a variety of Laser Head Assemblies such as **Control**, **E.S.I.**, **Laser Applications**, **Lee** and **Quantronix**.

Recently Cascade Laser has added four new laser head assemblies to our Lee Laser Model category. These assemblies include the **Lee Laser Model 808, 812, 818, and 825**, which are found in equipment manufactured by **Chicago Laser** and **GSI Lumonics**.

Laser head components and exploded view drawings can be viewed on our website under the catalog directory. Cascade Laser's on-line catalog is organized according to laser model in which you can easily find an entire assembly or an individual component for each model. To the right is an example illustration from our catalog in which the individual parts are numbered. Our on-line catalog is a convenient way for customers to choose the products of interest and to submit a request for quotation, or a

request for additional information right from their desktop. All of the requests are directed to our sales department where a salesperson will respond to you in a quick and timely manner.



Example of On-Line Catalog Illustration